

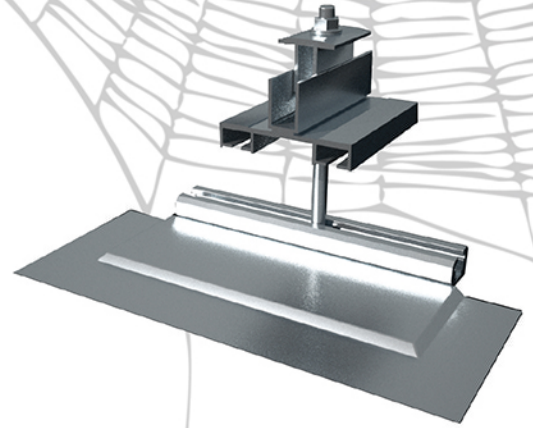
RED WIDOW



MADE IN USA

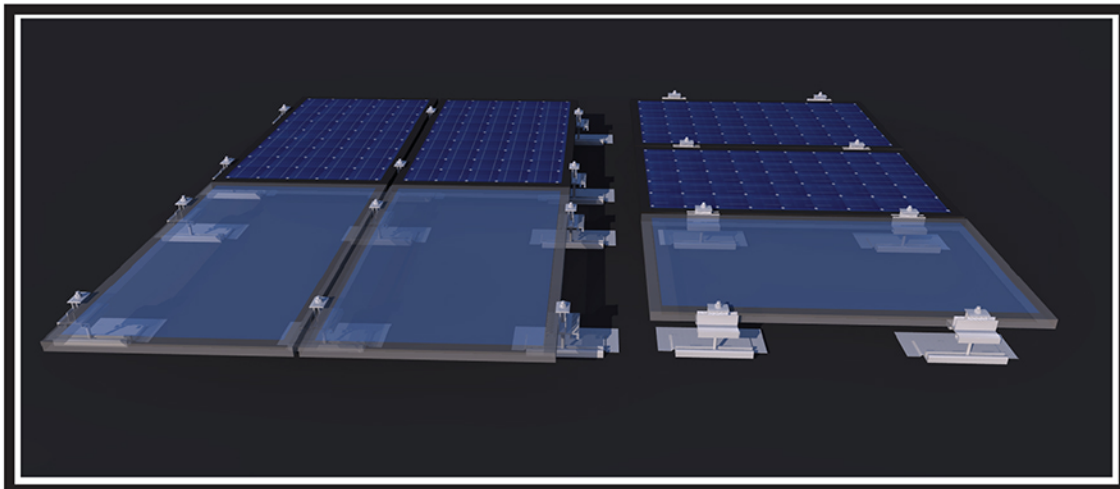
50 STATE ENGINEERING

THE PATENT PENDING RED WIDOW SYSTEM ALLOWS FOR STUD-LESS STRUCTURAL ATTACHMENT TO THE ROOF WHILE MAINTAINING LOCATION ADJUSTABILITY AND STRENGTH. LABORATORY TESTED TO 1710 LBS PULL OUT FORCE AND 115 MPH WINDS, RED WIDOW WILL MAKE ANY PHOTOVOLTAIC INSTALLATION FASTER WITHOUT LOSING RELIABILITY. YOUR INSTALLATION WILL BE DONE IN RECORD TIME WITH RED WIDOW.

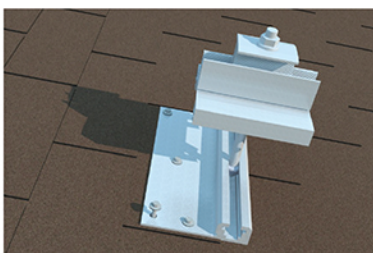


BENEFITS OF RED WIDOW

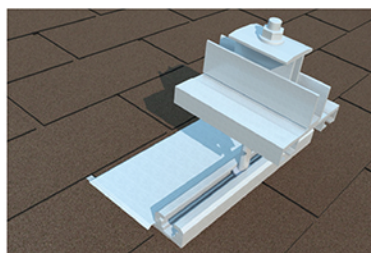
- CLAMP FITS ALL MAJOR BRAND PANELS 1 1/8" - 2" (28.5 - 50 MM)
- PRE-ASSEMBLED
- SAVES TIME AND LABOR COST
- LABORATORY TESTED TO 1710 LBS PULL OUT FORCE
- WORKS FLAWLESSLY WITH COMPOSITE SHINGLE ROOFS
- RATED FOR UP TO 115 MPH WINDS
- 2 COLORS AVAILABLE
- LIGHTWEIGHT DESIGN
- INTEGRATED GROUNDING
- LOW COST PER WATT
- ONLY 2 PART NUMBERS
- UNIT COMES WITH MOUNTING SCREWS AND BUTYL SEALANT PRE-INSTALLED ON BASEPLATE



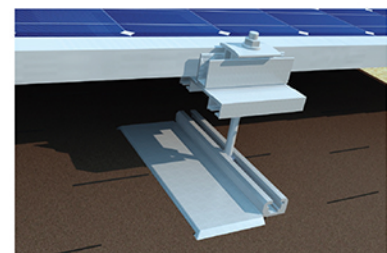
INSTALLATION OF RED WIDOW



ATTACH ANYWHERE ON ROOF



INSTALL OPTIONAL FLASHING



BOND PANEL WITH TOP CLAMP

1-844-773-7729 WWW.SPIDERRAX.COM



SPIDER - RAX